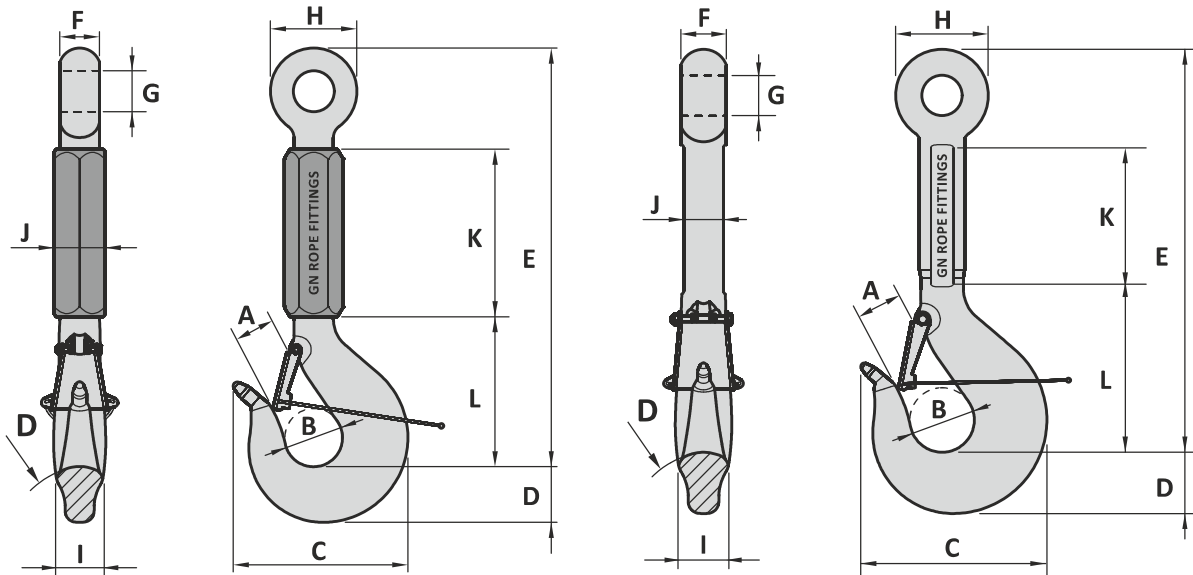


ROV SHANK HOOK

TYPE HK5

Material : Alloy steel quenched and tempered
 Safety factor : 4 times
 Finish : Painted
 Temperature range : -40°C up to +200°C; Polar Rated
 Standard certification : Certificate of Conformity
 3.1 material certificate EN 10204

Non-standard sizes or custom products available on request



Type for hook WLL 5.4 ton ≤ WLL 80 ton

Type for hook WLL 100 ton ≤ WLL 400 ton

Art. No.	WLL ton	MBL ton	A mm	B mm	C mm	D mm	E mm	F mm	G mm	H mm	I mm	J mm	K mm	L mm	Weight kg
53000005	5.4	21.6	34	50	161	40	515	34	31	68	32	45	250	150	5.3
53000012	12.5	50	41	63	200	58	565	45	40	90	45	60	260	180	12
53000016	16	64	49	70	224	67	610	48	44	102	53	60	280	190	17
53000025	25	100	55	80	248	75	650	56	52	105	60	70	270	230	22
53000032	32	128	59	90	288	85	800	65	60	130	67	80	360	265	35
53000040	40	160	69	100	316	95	820	70	70	150	75	85	330	285	47
53000050	50	200	76	112	343	106	850	80	78	175	85	100	350	285	62
53000063	63	252	84	125	376	118	900	85	86	200	95	110	360	322	88
53000080	80	320	97	140	418	132	950	100	86	210	106	120	290	390	111
53000100	100	400	110	160	462	150	1000	110	100	228	118	98	320	400	155
53000125	125	500	132	180	509	170	1050	124	100	260	132	106	280	450	209
53000160	160	640	137	200	584	190	1100	138	130	300	150	120	280	480	317
53000200	200	800	167	224	648	212	1200	160	130	350	170	136	280	510	367
53000250	250	1000	188	250	740	236	1250	180	145	370	190	150	300	540	617
53000300	300	1200	205	280	825	265	1320	190	160	405	212	160	300	580	730
53000400	400	1600	225	315	920	300	1400	210	185	465	236	180	300	630	1000

Tolerance: Forged parts ± 5%, machined parts ± 1 mm



GN ROPE FITTINGS
 Grofsmederij Nieuwkoop B.V. - The Netherlands

www.gnweb.com, sales@gnweb.com

Tel: +31(0) 172 579 303, Fax: +31(0) 172 571 073

