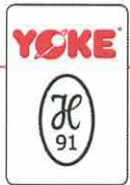
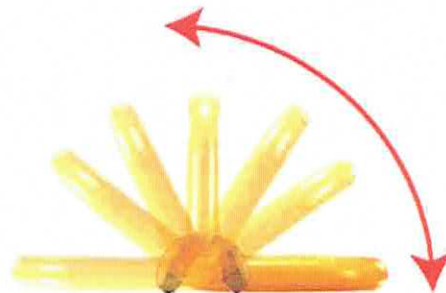
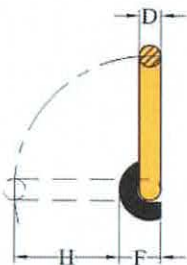
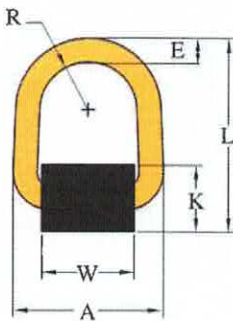




### Yoke Grade 8 Weld-on Lifting Point BS EN 1677-1+2



- Designed with spring, stop at any angle.
- Pivots through 180°.
- Manufactured from forged alloy steel, quenched and tempered.
- Load rated parts are 100% magnaflux crack detected.
- Individual forged parts are traceable to Test Certification.
- Design Factor 4 : 1.
- WLL forged onto each product for quick and easy identification.
- Lugs designed to assist the welding process.
- A protected spring keeps the load ring in a required position. The parts are connected in such a way that they remain captive. The spring also reduces noise caused by vibrations.



Stop at Any Angle

### METRIC SPECIFICATIONS

Part Code	WLL tonnes	A mm	D mm	E mm	F mm	H mm	K mm	L mm	R mm	W mm	Mass Kg
8-057-10T	10.0	146	20	30	54	88	73	191	41	75	3.1
8-057-20T	20.0	187	25	38	70	106	93	234	50	91	6.5

## IMPERIAL SPECIFICATIONS

Part Code	WLL lbs	A inch	D inch	E inch	F inch	H inch	K inch	L inch	R inch	W inch	Mass lbs
8-057-10T	22000	5.7	0.7	1.1	2.1	3.4	2.8	7.5	1.6	2.9	6.8
8-057-20T	44000	7.3	0.9	1.5	2.7	4.1	3.6	9.2	1.9	3.5	14.3



**William Hackett**

**William Hackett Lifting Products Ltd** Oak Drive, Lionheart Enterprise Park, Alnwick, Northumberland NE66 2EU  
 Email: [liftingsales@williamhackett.co.uk](mailto:liftingsales@williamhackett.co.uk) Tel: +44 (0)1665 604200 Fax: +44 (0)1665 604204

**William Hackett Chain Products Ltd** Maypole Fields, Cradley, Halesowen, West Midlands B63 2QE.  
 Email: [info@williamhackett.co.uk](mailto:info@williamhackett.co.uk) Tel: +44 (0)1384 569431 Fax: +44 (0)1384 630157

Web: [www.williamhackett.co.uk](http://www.williamhackett.co.uk)



*Better connected with William Hackett*

## YOKE WELD-ON LIFTING POINT WARNING AND APPLICATION INSTRUCTIONS



8-057

### WARNING

- Loads may disengage from link if proper welding, assembly, and lifting procedures are not used.
- A falling load may cause serious injury or death.
- Do not use with damaged slings or chain. For sling inspection criteria see ASME B30.9.
- Read and understand these instructions before welding on, or using the lifting point.

### Important Safety Information - Read and Follow

- Use weld-on lifting point only with ferrous metal (steel) work piece.
- After determining the loads on each weld-on lifting point, select the proper size using the Working Load Limit (WLL) ratings in Table 1.
- Always make sure the weld-on lifting point and mounting surface is free of dirt or contaminants before installation.
- Never use spacers between the weld-on lifting point and mounting surface.
- Always select proper load rated lifting device for use with weld-on lifting point.
- Attach lifting device ensuring free movement of weld-on lifting point bail (Figure 1).
- Apply partial load and check proper alignment. There should be no interference between load (work piece) and weld-on lifting point (Figure 2).
- Always ensure free movement of bail. The bail should pivot 180 degrees (Figure 4).
- The support structure that the lifting point is attached to must be of suitable size, composition and quality to support the anticipated loads of all operating positions. The required support structure thickness for a given application is dependent on variables such as unsupported length and material strength, and should be determined by a qualified individual.
- Never repair, alter, rework or reshape the lifting point bail by welding, heating, burning or bending.
- Only apply load in line with pivot direction except for lashing application.

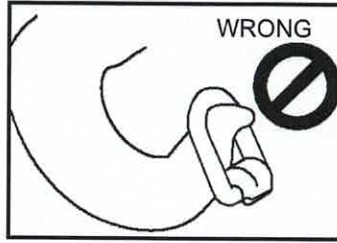


Figure 1

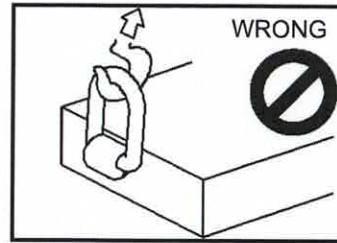
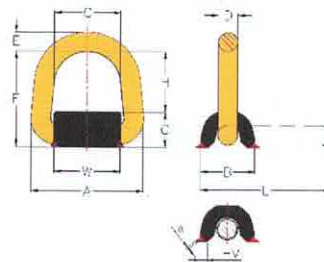


Figure 2

Table 1

8-057 Weld-on Lifting Point \*\*



Item No.	Working Load Limit tonnes	Dimensions (mm)											N.W. kg	
		A	B	C	D	E	F	G	H	L	W	HV		a
8-057-1T	1.0	83	37	48	14	14	75	26	49	105	48	5	3	0.5
8-057-3T	3.0	98	48	58	17	17	85	31	54	112	54	6	3	0.9
8-057-5T	5.0	120	56	66	22	22	92	37	55	154	56	7	3	1.3
8-057-8T	8.0	121	68	68	26	26	122	47	75	169	55	10	4	2.6
8-057-10T	10.0	146	68	82	20	30	125	47	78	191	70	10	4	2.8

\* Design factor 5:1

Item No.	Working Load Limit tonnes	Dimensions (inch)											N.W. lbs	
		A	B	C	D	E	F	G	H	L	W	HV		a
8-057-1T	1.0	3.27	1.46	1.89	0.55	0.55	2.95	1.02	1.93	4.13	1.89	0.2	0.12	1.1
8-057-3T	3.0	3.86	1.89	2.28	0.67	0.67	3.35	1.22	2.13	4.41	2.13	0.24	0.12	2.0
8-057-5T	5.0	4.72	2.20	2.60	0.87	0.87	3.62	1.46	2.17	6.06	2.20	0.25	0.12	2.9
8-057-8T	8.0	4.76	2.68	2.68	1.02	1.02	4.80	1.85	2.95	6.65	2.17	0.39	0.16	5.7
8-057-10T	10.0	5.75	2.68	3.23	0.79	1.18	4.92	1.85	3.07	7.52	2.76	0.39	0.16	6.2

\* Design factor 5:1

\*\* Designed to be used with ferrous work piece only.

## Weld-on Lifting Point Welding Guidelines

- 1 Select the correct size weld-on lifting point to be used. Be sure to calculate the maximum load that will be applied to the weld-on lifting point.
- 2 Place the weld-on lifting point onto the mounting surface. The bottom of the link base must be parallel and even with the mounting surface.

- 3 Welding is to be performed by a qualified welder using a qualified procedure in accordance with American Welding Society and/or American Society of Mechanical Engineers requirements. Always follow your country or local mandatory regulations or codes.
- 4 The following welding recommendations should be included in the qualified procedure for welding to low or medium carbon plate steel. For welding to other grades of steel, a qualified weld procedure must be developed.
  - A. Weld material is to have a minimum tensile strength of 70,000 PSI (such as AWS A5.1 E-7018). Observe the electrode manufacturer's recommendations. Completely fill internal fillet created between weld-on lifting point base and mounting surface.
  - B. Before welding, all weld surfaces must be clean and free from rust, grease, paint, slag and any other contaminants.
  - C. Fillet weld leg size should be minimum shown in Table 1. Weld profiles to be in accordance with AWS. Weld size is measured by length of leg.
  - D. Welding should be carried out in a minimum of two passes to ensure adequate root penetration at the base of the lifting point.
  - E. Weld full length of "W" dimension on both sides of link base (Table 1).
  - F. Do not weld close to the bail. After welding, ensure bail pivots full 180° without interfering with the weld.
  - G. Do not rapidly cool the weld.
  - H. The ends of the weld must be ground sufficiently so that the weld-on lifting point will fit flush against the mounting surface.
  - I. A thorough inspection of the weld should be performed. No cracks, pitting, inclusions, notches or undercuts are allowed. If doubt exists, use a suitable NDE method, such as magnetic particle or liquid penetrant to verify.
    - J. If repair is required, grind out the defect and re-weld using the original qualified procedure.

## Operating Safety

- Never exceed the capacity (WLL) of the weld-on lifting point (Table 1).
- Never apply load except in line with the pivot direction (Figure 4).
- When using lifting slings of two or more legs, make sure the forces in the legs

are calculated using the angle from the horizontal sling angle to the leg and select the proper size link.

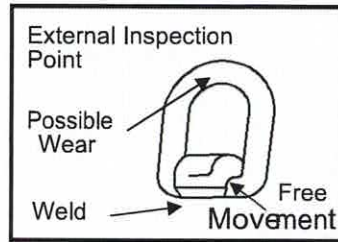


Figure 3

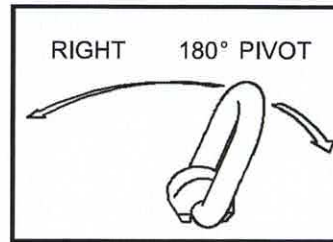
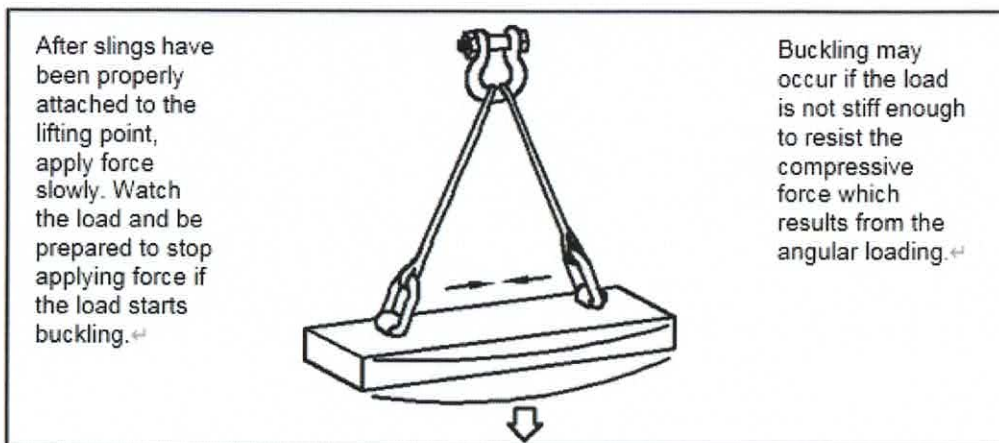
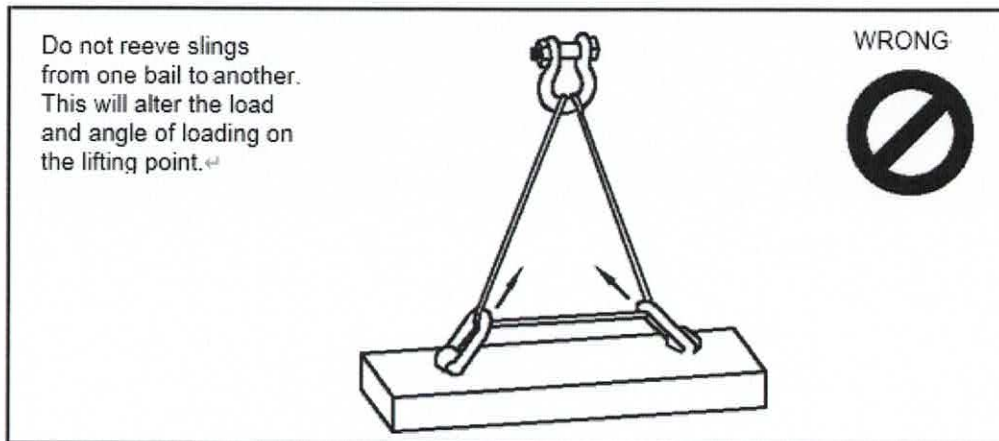


Figure 4



## Weld-on Lifting Point Inspection / Maintenance

- Always inspect weld-on lifting point before use.
- Regularly inspect weld-on lifting point parts (Figure 3).
- Never use weld-on lifting point that shows signs of corrosion, wear or damage.
- Never use weld-on lifting point if bail is bent or elongated.
- Do not use part showing cracks, nicks or gouges.

- Always make sure there are no spacers used between weld-on lifting point and the mounting surface.
- Always be sure work piece surface is in total contact with the weld-on lifting point base mating surface.
- Always inspect the weld-on lifting point bail and base for wear.
- A visual periodic inspection of the weld should be performed. Check the weld visually, or use a suitable NDE method if required.

The welding should only be carried out by qualified welder according to Standards, e.g. EN 287 or AWS.

## Support material

- Material of the welding block is S355J2+N (1.0577+N, St 52-3N, B.S. 4360.50D, AISI 1019 etc.).
- Prior to welding, the contact areas must be free from impurities, oil, paint, rust, scale, etc., for example by grinding. If the surface is at all corroded, all rust must be completely removed from the weld area. Painted surface must be prepared in the same way.
- The steel support member must have a carbon content of no less than 0.25% and no more than 0.40%.
- In ambient temperature of 10°C and below, pre-heating of the weld area prior to welding must be carried out.

## Seam welding

- The welds must be sufficiently strong to take the required loads.
- The distance lugs assist in achieving the required root weld (approx. 3 mm).
- A minimum weld-seam width must be maintained to give adequate weld strength (see table)
- Start both, the root pass and final weld pass from the centre of the support to be welded.
- Before starting the final weld pass, clean well the root pass to avoid inclusions.
- The complete welding operation must be carried out continuously so that the parts do not have time to cool.
- Do not weld at the yellow powder coated tempered load ring.
- After welding, ensure bail pivots full 180° without interfering with the weld.
- Effects of temperature

The lifting points for weld on, types DAA, can together with the load (e.g. weld construction) be annealed, Temperature < 600° C, stress-release

without reduction of WLL.

The complete construction can be annealed stress release at <600°C without reduction of WLL.

Do not rapidly cool the weld.

- A thorough inspection of the weld should be performed. No cracks, pitting, inclusions, notches or undercuts are allowed. If doubt exists, use a suitable NDT method, such as magnetic particle or liquid penetrant to verify.
- If repair is required, grind out the defect and re-weld using the original qualified procedure.

## Welding material

Weld material is to have a minimum tensile strength of 70,000 PSI (such as AWS A5.1 E-7018), following the electrode manufacturer's recommendations. Reference information as below:

MIG arc welding:

Wire diameter 0.8 - 1.2 as per DIN 8559-SG 3, AWS A

5.18. Important: do not weld in the open air during bad

weather Manual electric:

Direct current supply welding:

Electrodes according to EN ISO 2560-A - E 42 6 B 3 2, AWS A 5.5 : E

8018-G. Electrode: root pass and final weld pass, type E5154 B10 as per

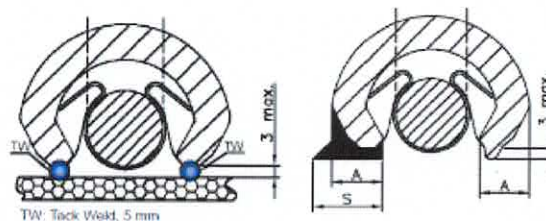
DIN 1913, used in accordance with the manufacturers.

## Alternating current supply welding:

Electrode as per DIN 1913, modified for alternating current

use. HV welding and final weld pass, type E5155 B10.

Specifications:



Art. No.	Code	WLL (ton)	Thickness A (mm)	Weld Size S (mm)
8-057-1T	DAA1	1.0	10	S=A+3
8-057-3T	DAA3	3.0	12	S=A+4
8-057-5T	DAA5	5.0	17	S=A+5
8-057-8T	DAA8	8.0	16	S=A+4
8-057-10T	DAA10	10.0	17	S=A+5