

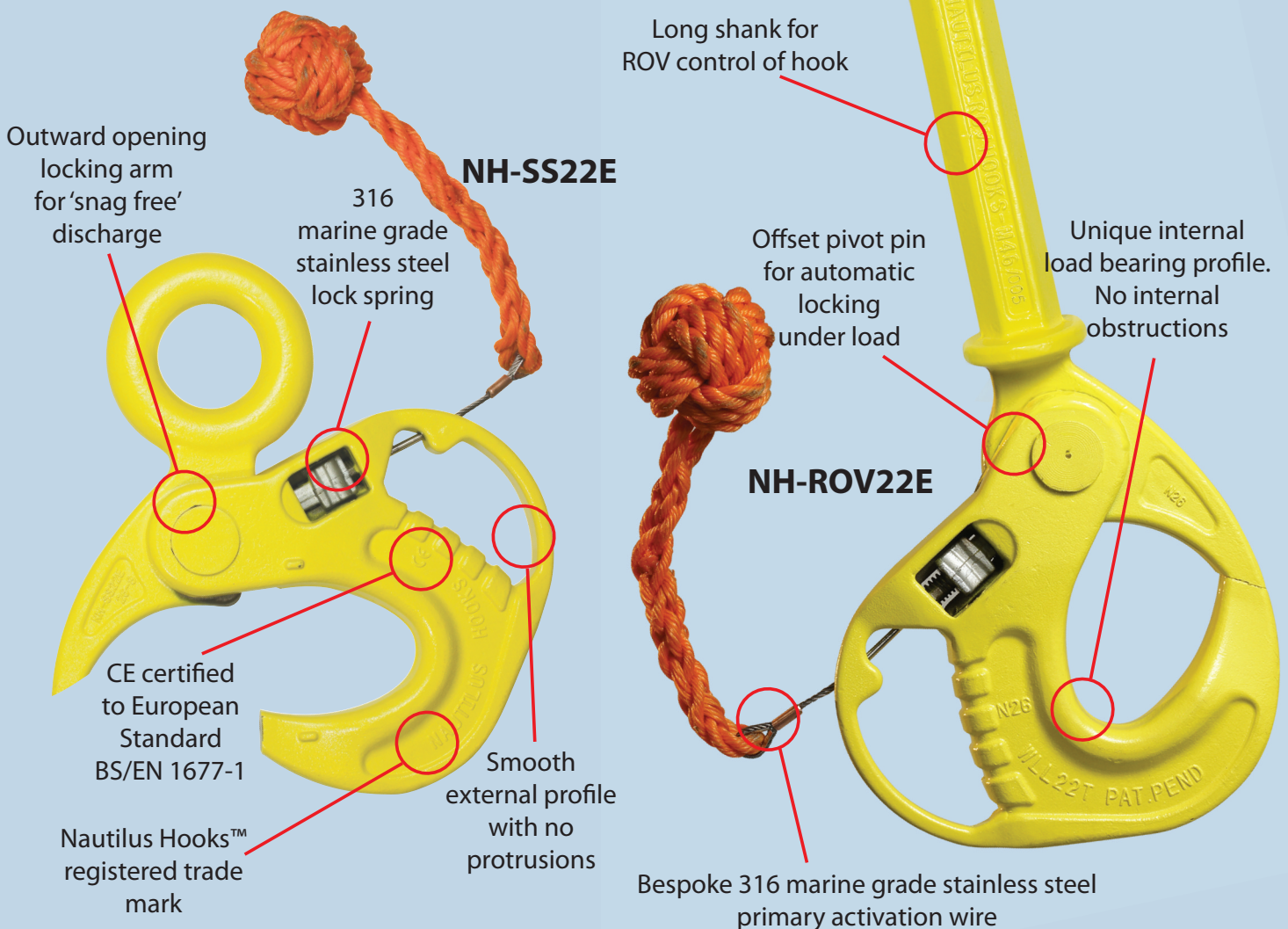
SubseaHooks™

Manufactured by Nautilus Rigging LLP

Technically advanced design with patented “positive locking” function sets new standard for safe, secure subsea lifting.

Key Benefits and Safety Features

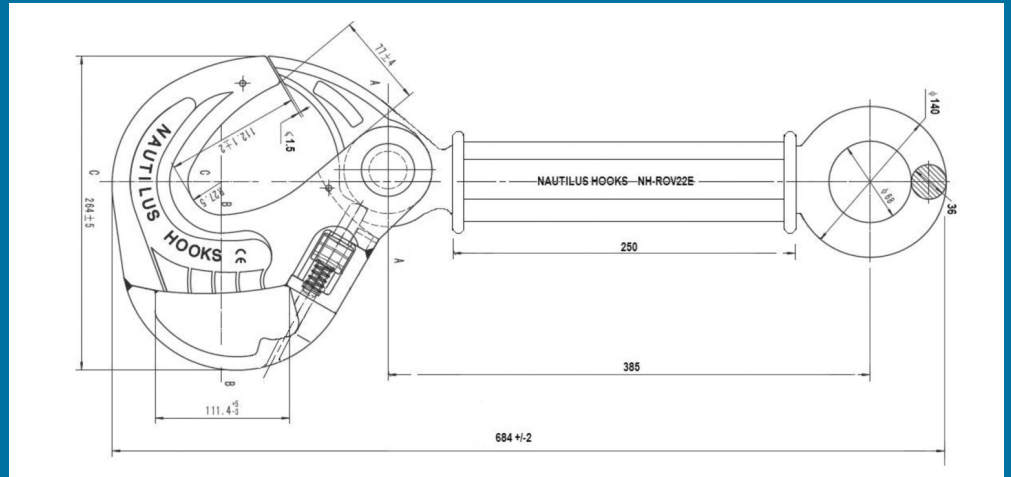
- ▶ Unique “positive locking” function eliminates risk of self release
- ▶ Outward opening locking arm eliminates “slings” fouling behind latch
- ▶ Self locking under load – load remains securely locked until released by ROV



NautilusROVHooks™

The New Standard for Safety

CE Certified



Nautilus ROV hooks incorporate patented locking technology with unique “Positive Locking” function, ensuring load integrity in the subsea environment. Innovative and cost effective, Nautilus subsea hooks eliminate the risk of load self-release, ensuring safe and secure subsea lifting operations.

Please visit www.nautilusrigging.com for full details and specifications on:

- ▶ Maintenance schedule (recommended)
- ▶ Activation wires specification
- ▶ Recommended lifting point specifications for compatibility with Nautilus subsea hooks

Nautilus ROV & Subsea Hooks

Component	Model / Part No.	WLL	Weight	L	W	T
Long Shank ROV Hook	NH-ROV22E	22 te	21.0 kg	684	264	62
Eye Top SubSea Hook	NH-SS22E	22 te	15.5 kg	434	264	62
Primary Activation Wire	NH-PW200	1200 kg	Bespoke 316 SS stud / wire assembly			
Secondary Activation Wire	NH-SW230	900 kg	230mm x 3mm SS wire and ferules			

- ▶ Nautilus subsea hooks are manufactured to EU standard BS/EN 1677-1+A1/2008
- ▶ Individually proof tested to 2.5 x working load limit
- ▶ 4:1 safety factor – working load limit 22 tonnes
- ▶ Nautilus ROV Hooks are fatigue rated to 20,000 cycles at 1.5 x the working load limit.
- ▶ Supplied with manufacturer’s test certification
- ▶ Patented Nautilus Design - USA Patent Number US 8,240,727 B2

Distributed by



NautilusRigging

23E Burnside Drive, Dyce
Aberdeen, United Kingdom
AB21 0HW

T: + 44 (0)1224 772323

E: info@nautilusrigging.com

www.nautilusrigging.com

